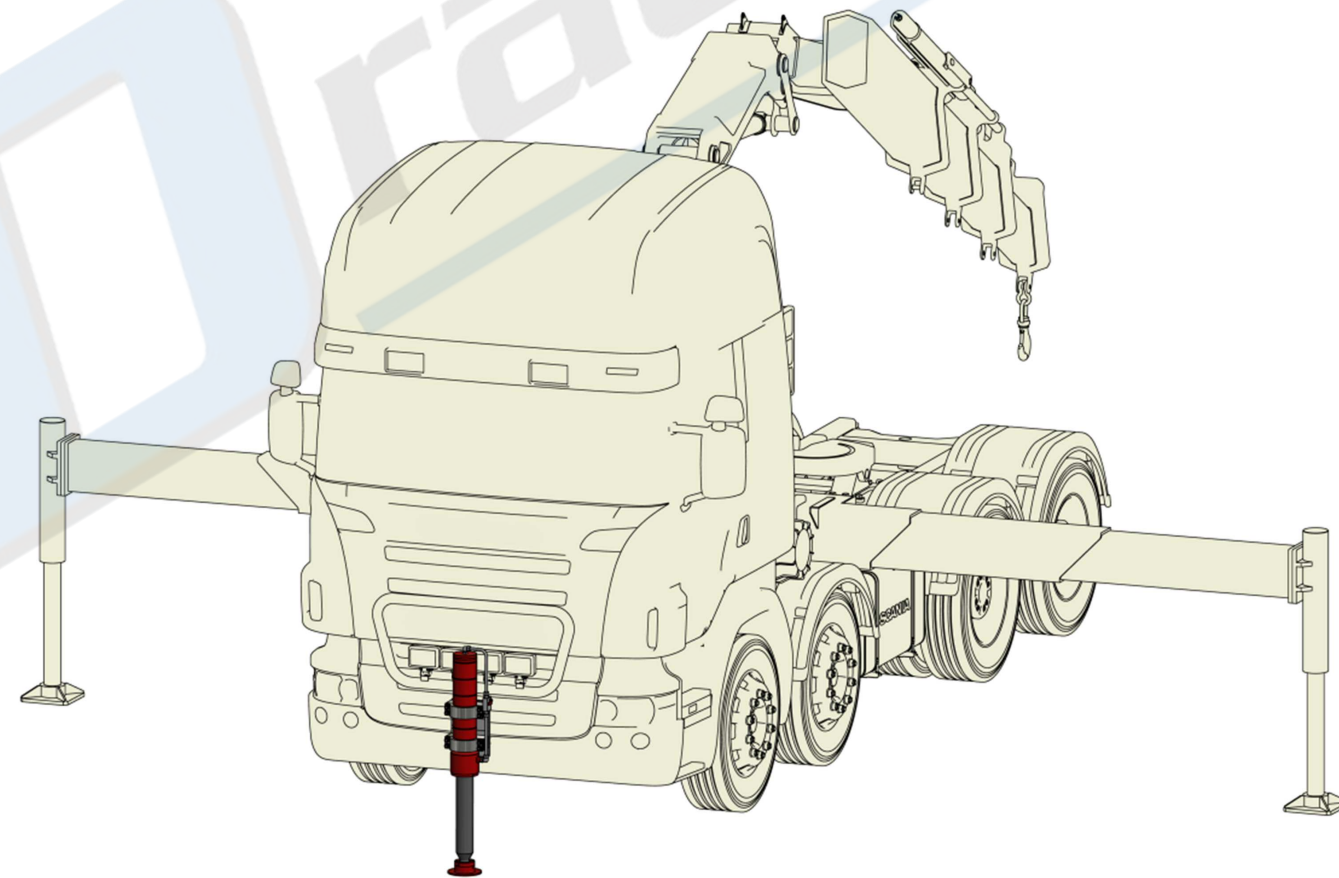
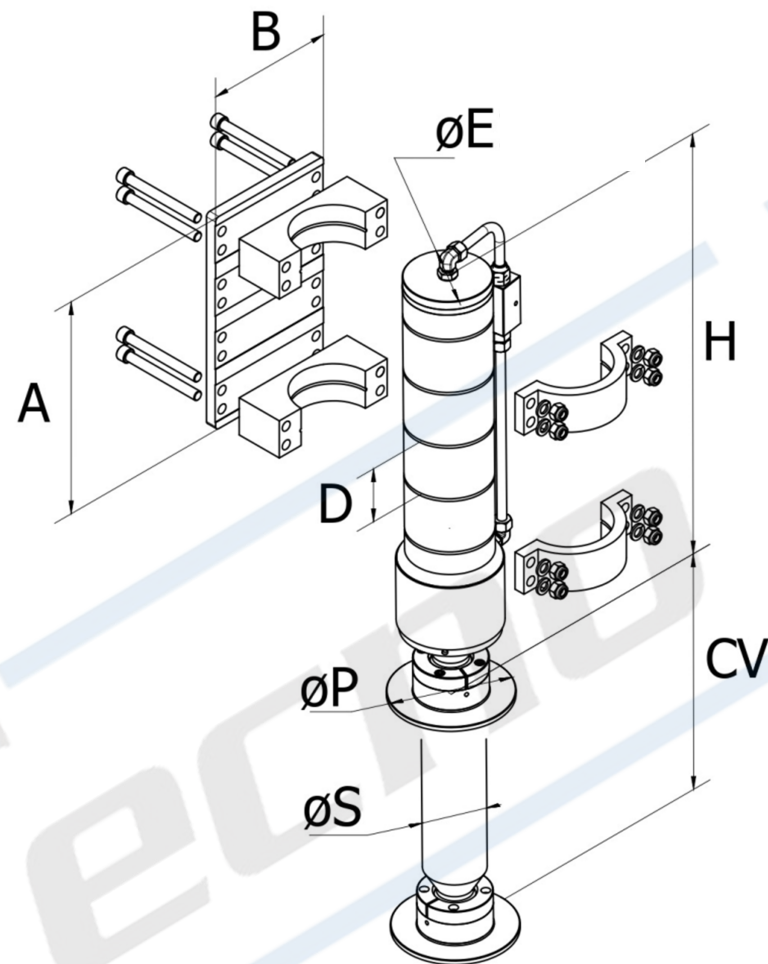


## FRONT MOUNTING CYLINDERS

- Height adjustable cylinders (CR) for front mounting on vehicles
  - The kit includes: perforated fixing plate, zinc plated collars complete with screws and nuts, hydraulic system (possibility of choosing between valves with or without handle, simple or double effect)
- [We recommend installation of two pieces per vehicle]



MODEL	DIMENSIONS (mm)					FIXING PLATE (mm)	MAX PRESSURE	R. MAX* (200 bar)
	ØE	ØS	H	CV	ØP			
CFR-0-S-CR-PS	75	40	540	350	160	180x140	200	4800
CFR-1-S-CR-PS	90	60	705	450	160	210x160		6500
CFR-1-L-CR-PS	90	60	850	580	160			
CFR-2/3-C-CR-PS	100	60	750	470	200	240x170		8500
CFR-2/3-S-CR-PS	100	60	830	550	200			
CFR-2/3-L-CR-PS	100	60	915	635	200			
CFR-4-C-CR-PS	110	70	840	565	200	270x220		10800
CFR-4-S-CR-PS	110	70	1000	735	200			
CFR-5/6-C-CR-PS	120	90	850	460	200	280x200		13300
CFR-5/6-L-CR-PS	120	90	1000	610	200			
CFR-7-C-CR-PS	140	100	860	470	200	300x235		19200
CFR-7-L-CR-PS	140	100	1000	610	200			

DIMENSIONS SHOWN ARE INDICATIVE. WE RECOMMEND TO REQUEST A DIMENSIONAL DRAWING DURING THE OFFER  
DATA MAY BE CHANGED WITHOUT NOTICE

\*MAX REACTION CALCULATED WITH THE CYLINDER FULLY EXTENDED AND ANCHORAGE OF THE FIXING COLLAR AT THE BOTTOM PART OF THE CYLINDER LINER

ALL RIGHTS RESERVED. COPYING AND REPRODUCTION OF THE CONTENTS AND IMAGES IN ANY FORM IS PROHIBITED

TECNODRAULIC srl via 1° Maggio, 32/36 - 25010 ISORELLA (Brescia) ITALY P.IVA 02177550981  
Tel. +39.030.9529199 - Fax +39.030.9529284 - [www.tecnodraulic.com](http://www.tecnodraulic.com) - [info@tecnodraulic.com](mailto:info@tecnodraulic.com) Cap. Soc. € 15.300,00 i.v. - Reg. Imp. BS n. 02177550981 - REA n. 427275

PS: articulated footplate