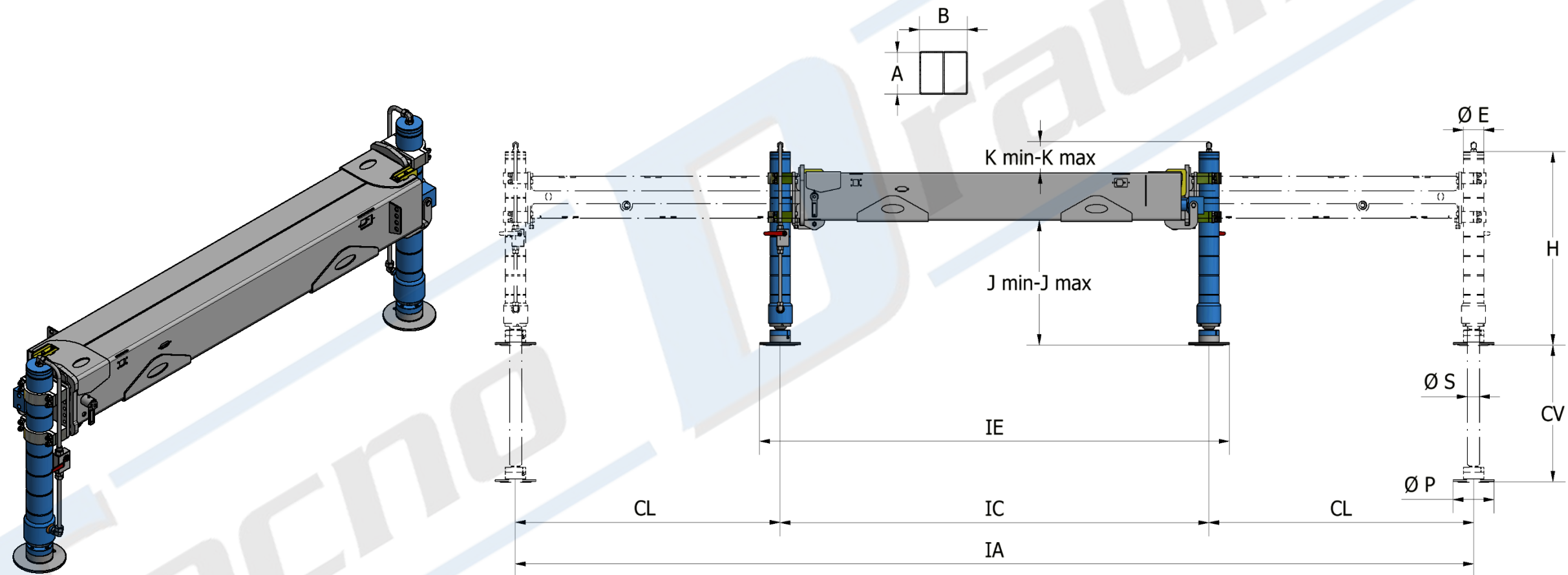


ADDITIONAL STABILIZERS WITH PARALLEL RODS AND INTERNAL FLEXIBLE AND RIGID PIPES

- Ideal for applications for cranes with capacity from 30 Ton-m to 100 Ton-m
- Pipes inside the stabilizer allow a simpler and quicker installation



CRANE	SERIES	MODEL	MAIN DIMENSIONS (mm)													
			Ton-m	IE	IC	CL	IA	AxB	øP	øE	øS	CV	H	J min-max	K Min-max	Weight (Kg.)
30-50	4 TI	TD-EHP/C-CR	2400	2200	1400	5000	300x235	200	110	70	565	840	120-620	0-470	570	12700
		TD-EHP/S-CR									735	1000	120-740	0-590	600	
50-80	5	TD-EHP/C-CR	2400	2200	1400	5000	305x280	200	120	90	460	850	150-700	0-450	740	17700
		TD-EHP/L-CR									610	1000	150-800	0-550	760	
40-70	5	TD-EHPL/C-CR	2550	2350	1800	5950	320x320	200	120	90	460	850	170-670	0-420	885	15850
		TD-EHPL/L-CR									610	1000	170-770	0-570	900	
70-100	6	TD-EHPL/C-CR	2550	2350	1800	5950	340x340	200	120	90	460	850	170-670	0-420	1020	20500
		TD-EHPL/L-CR									610	1000	170-770	0-570	1035	

PS: standard articulated footplate

OPTIONAL:
CGRI: hydraulic rotating cylinder (180°) available on all models

DIMENSIONS SHOWN ARE INDICATIVE. WE RECOMMEND TO REQUEST A DIMENSIONAL DRAWING DURING THE OFFER
DATA MAY BE CHANGED WITHOUT NOTICE

ALL RIGHTS RESERVED. COPYING AND REPRODUCTION OF THE CONTENTS AND IMAGES IN ANY FORM IS PROHIBITED